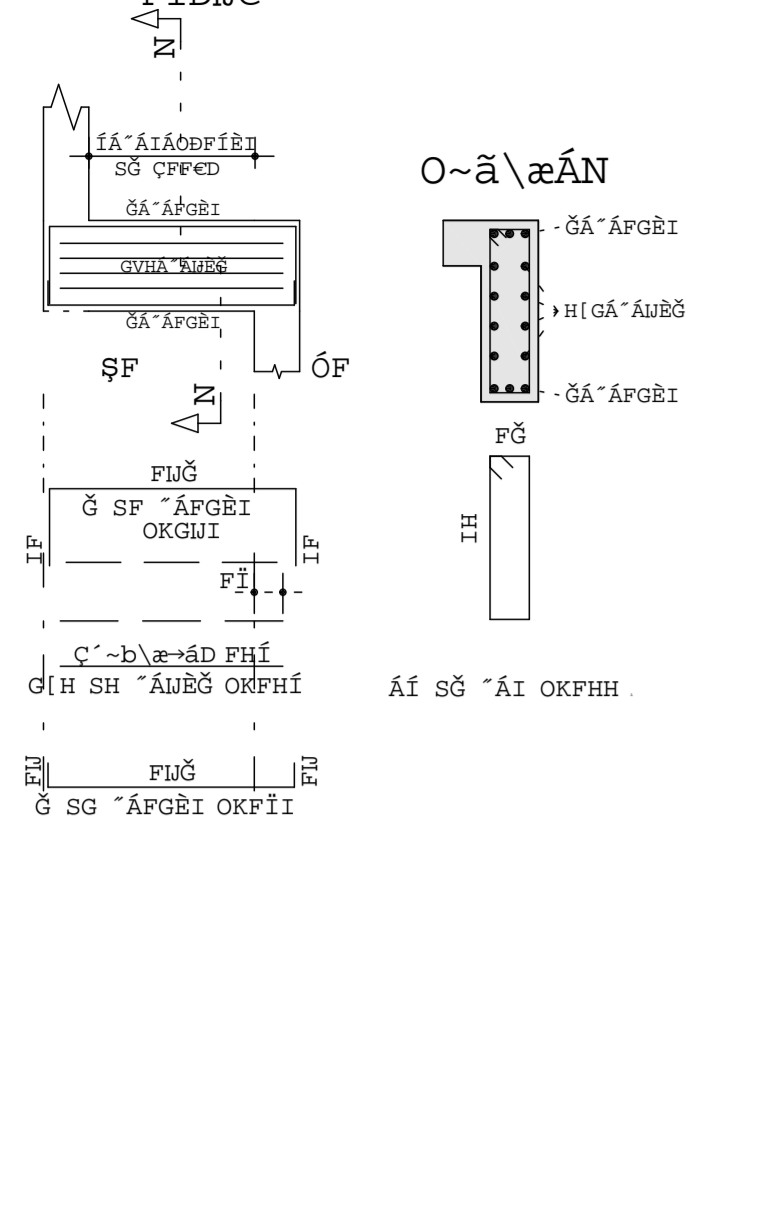
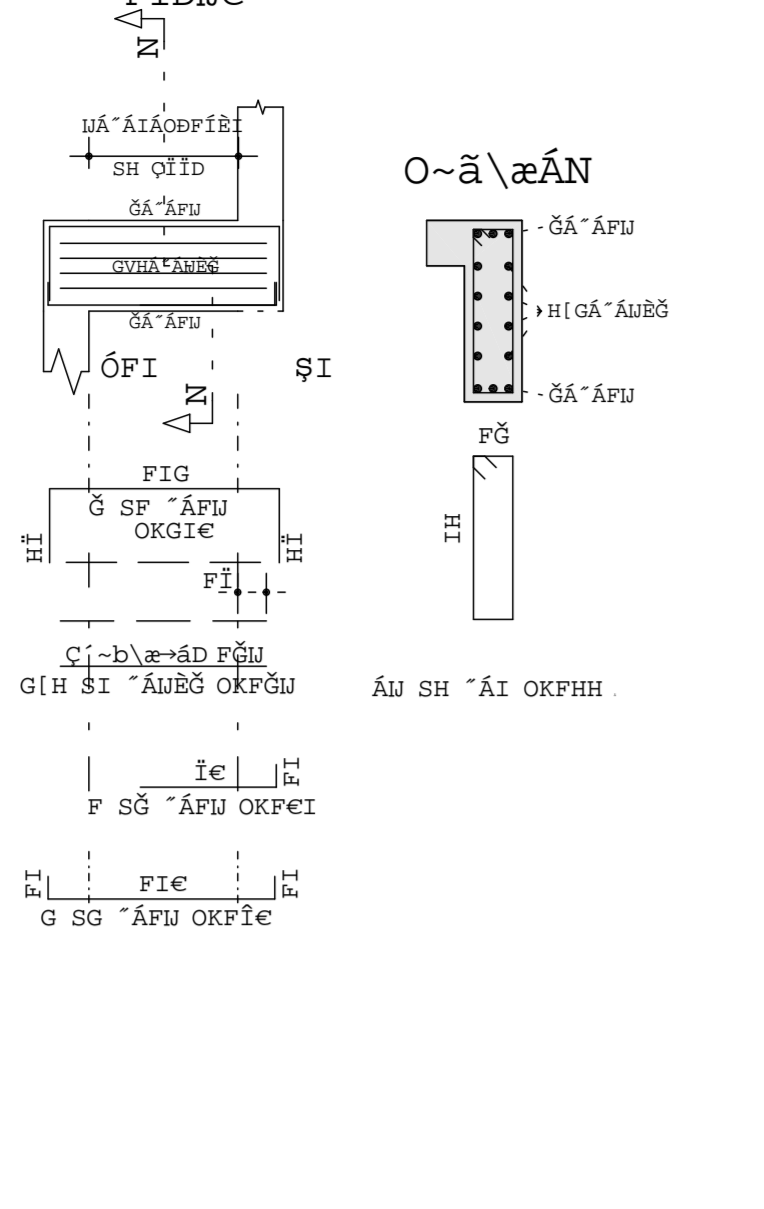


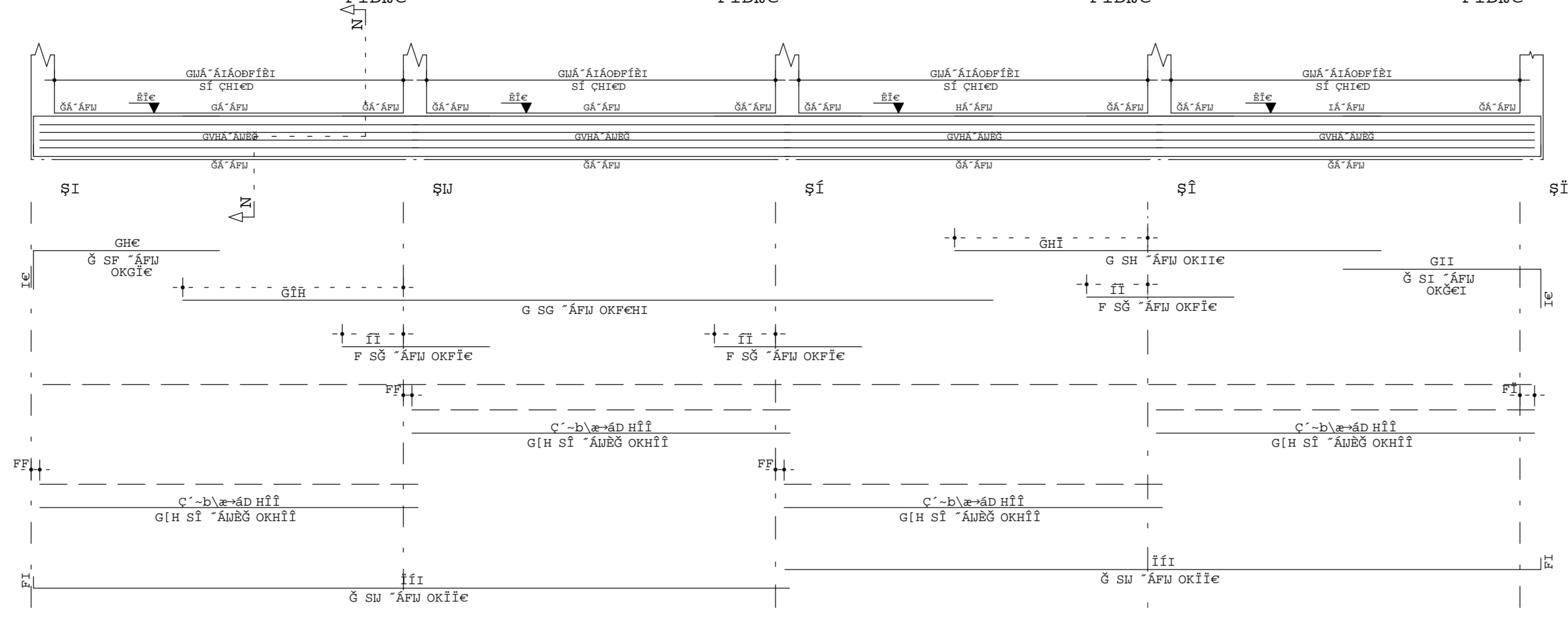
ÜGEE



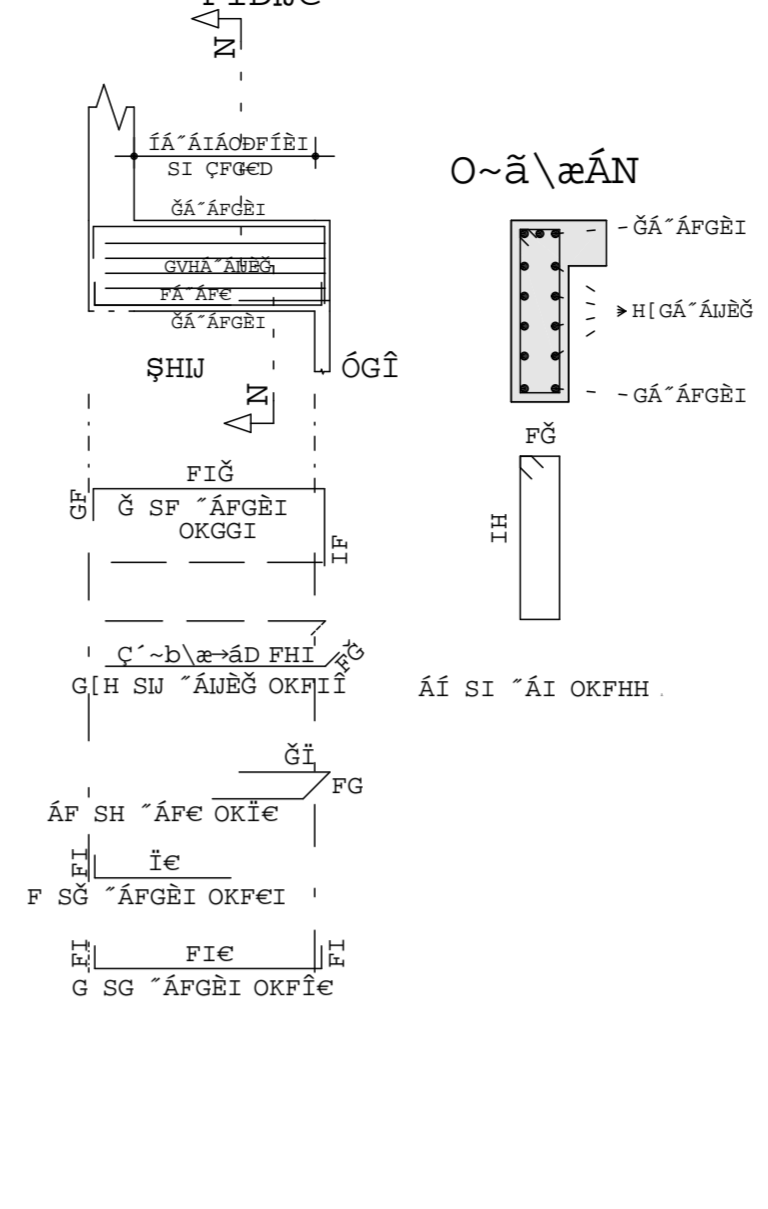
ÜGEG



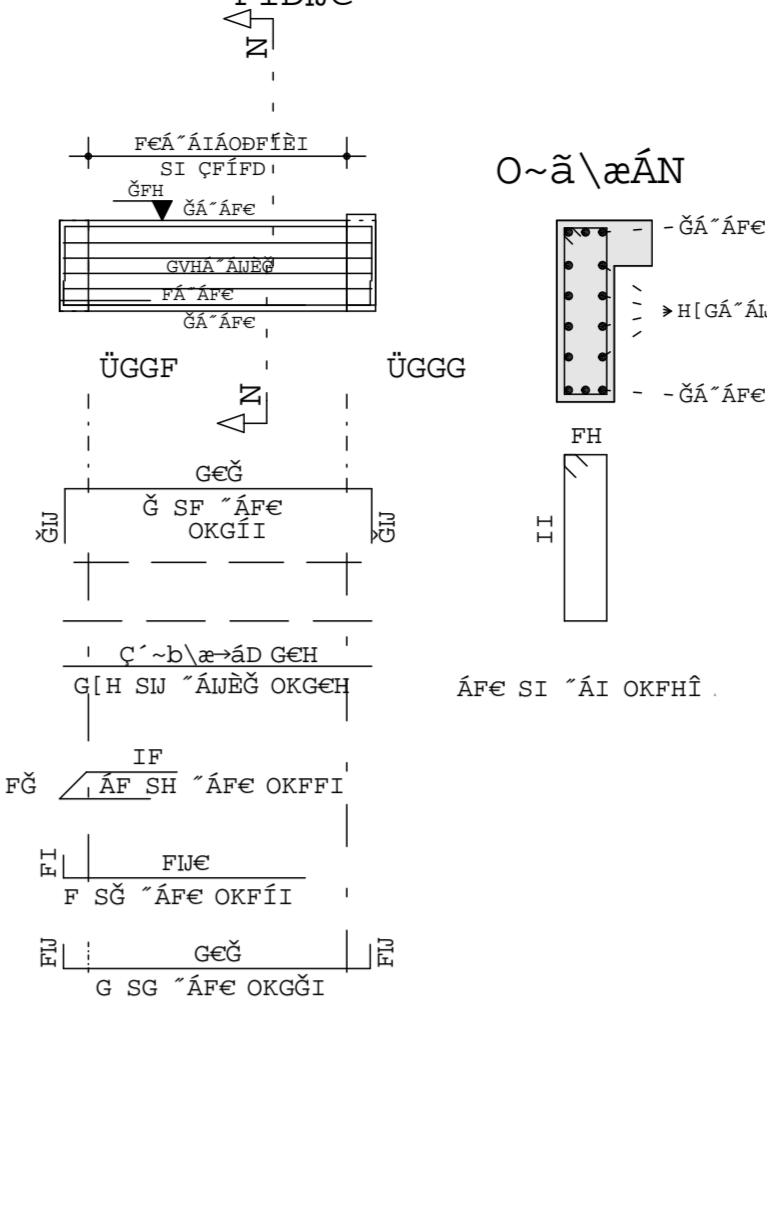
ÜGEG



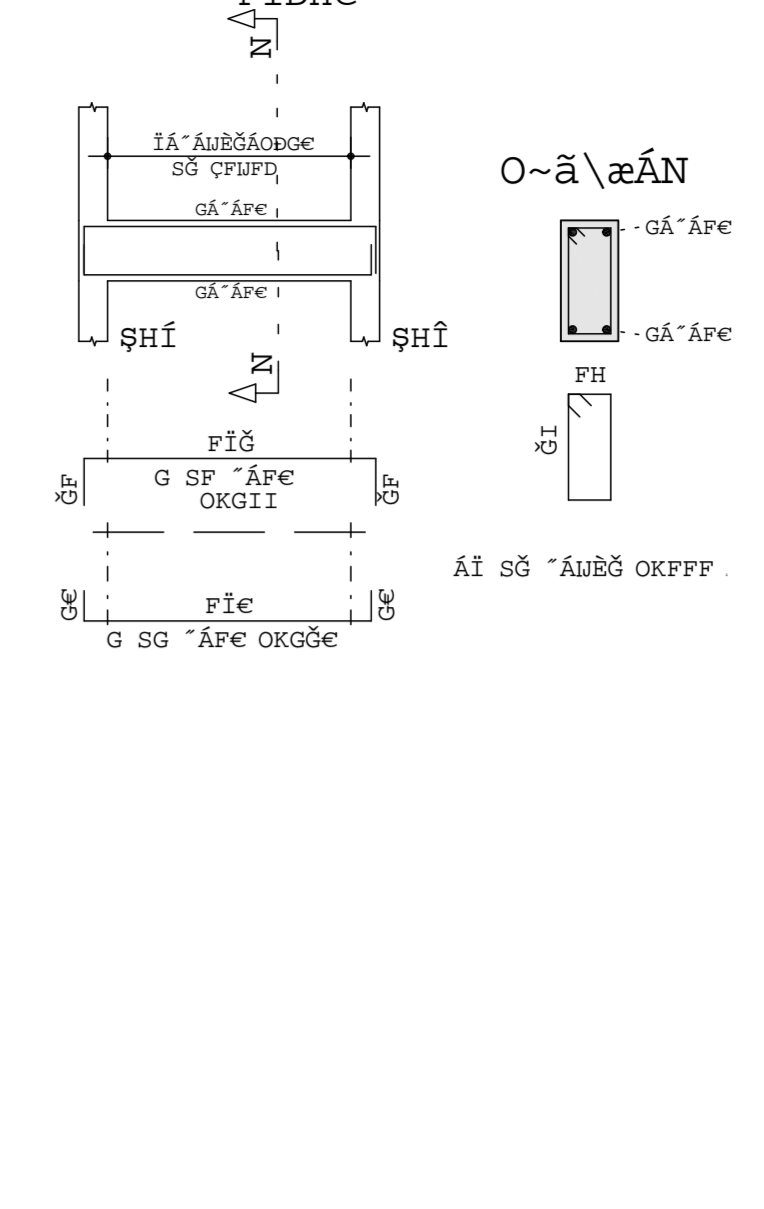
ÜGEIJ



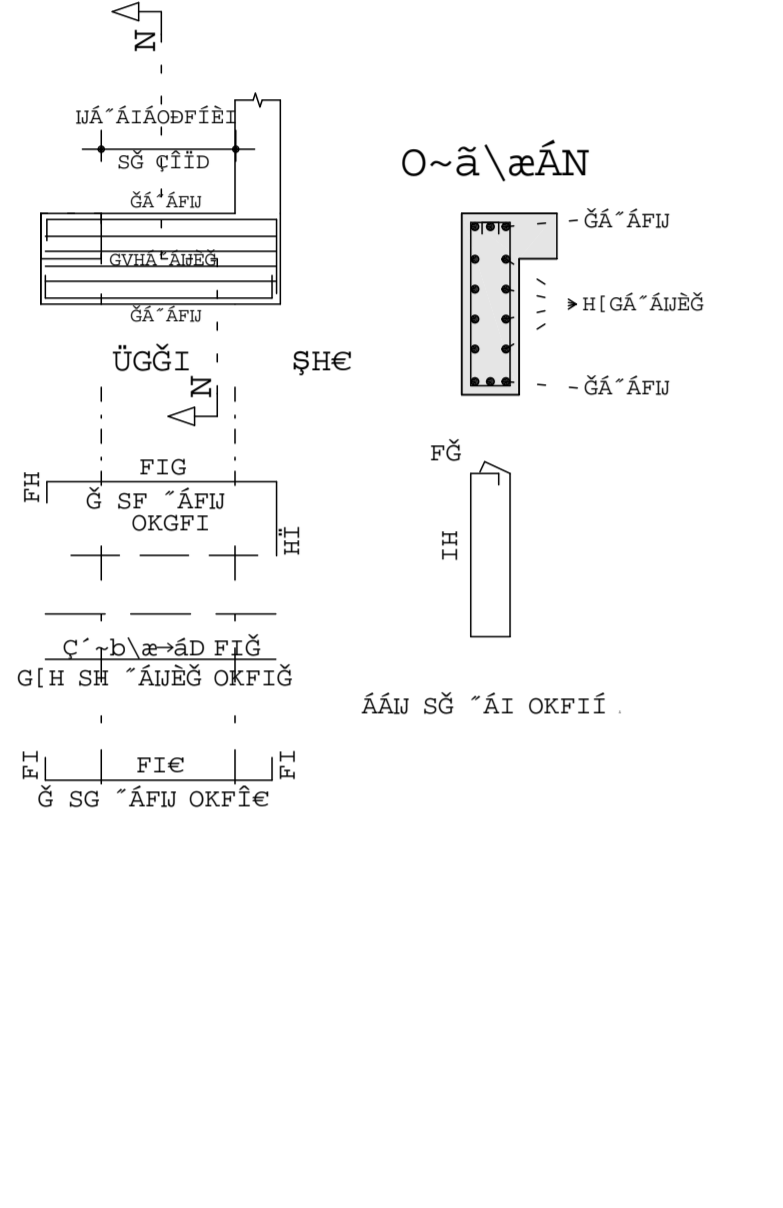
ÜGEI



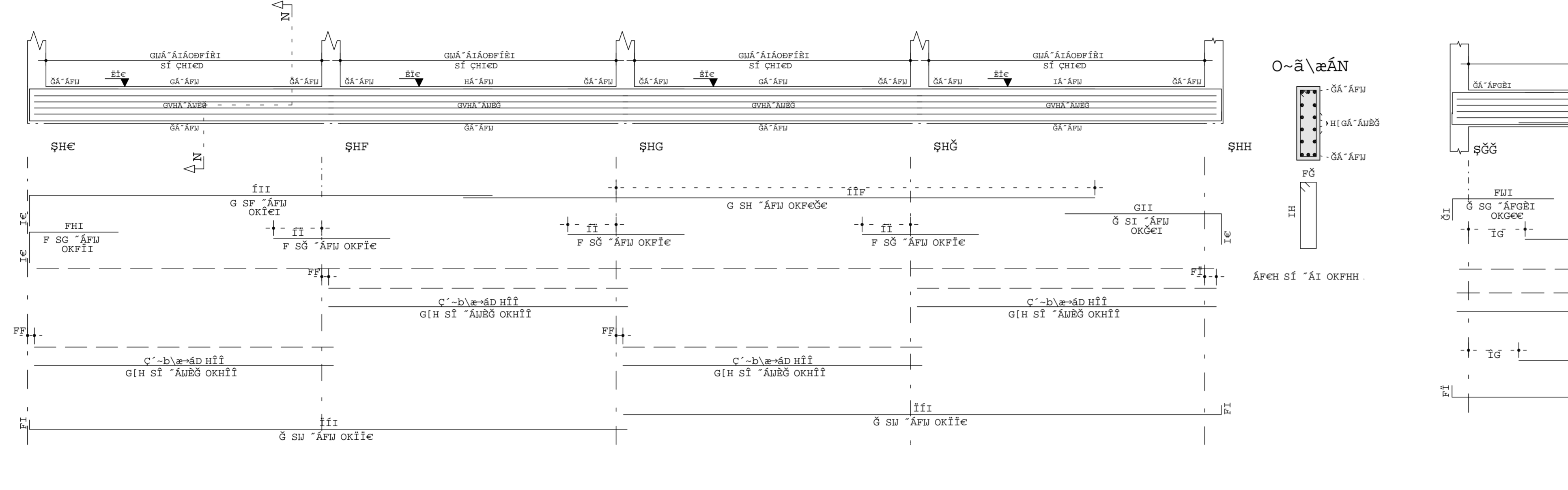
ÜGEI



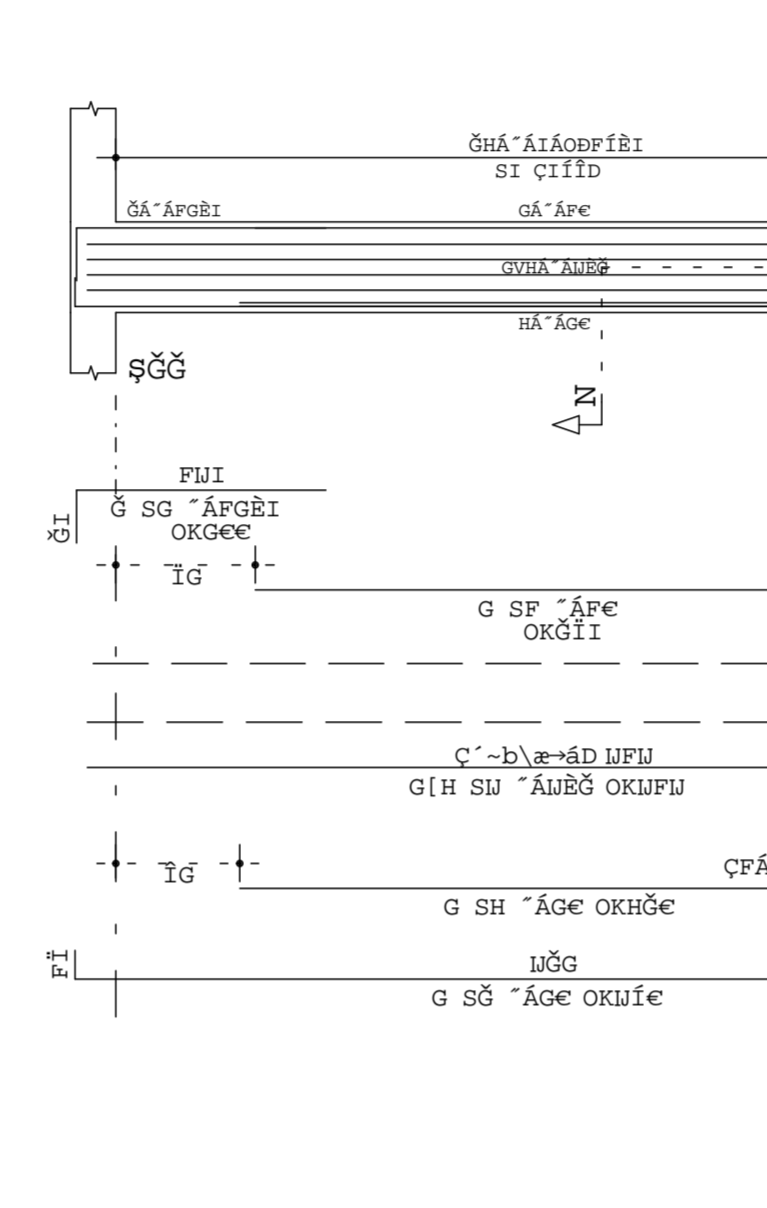
ÜGEI



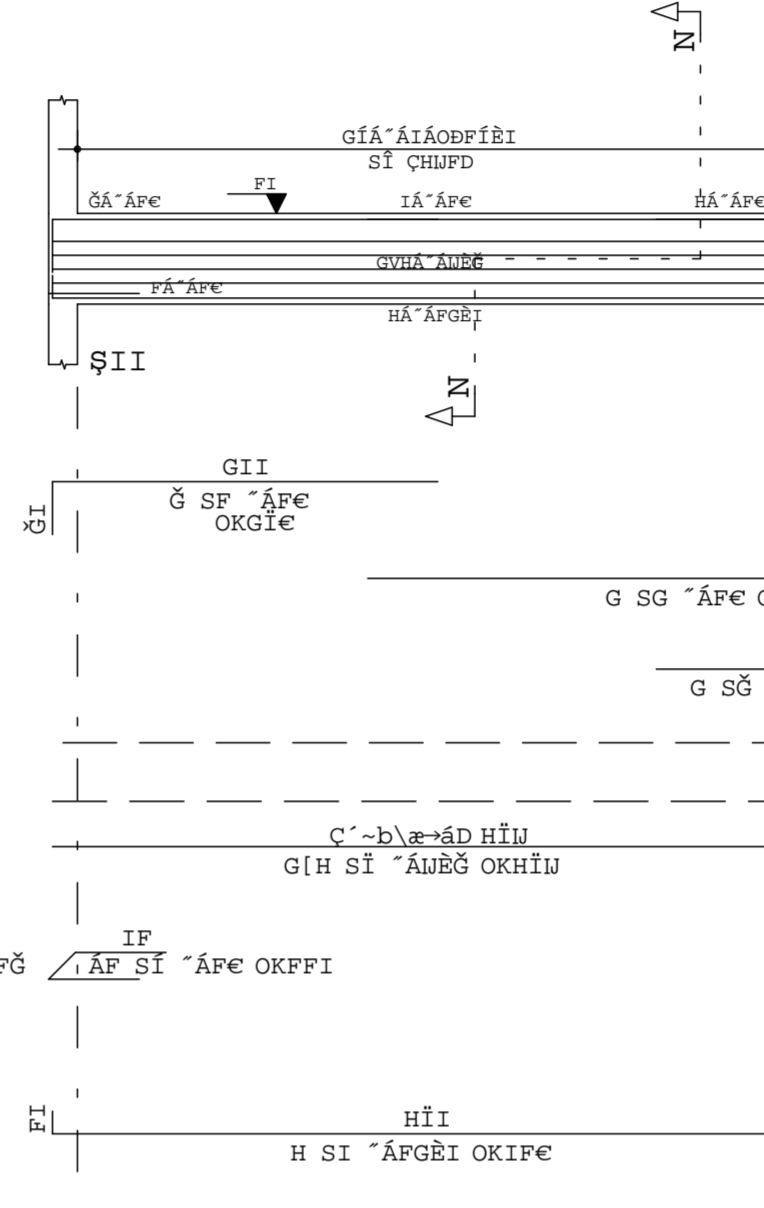
ÜGFE



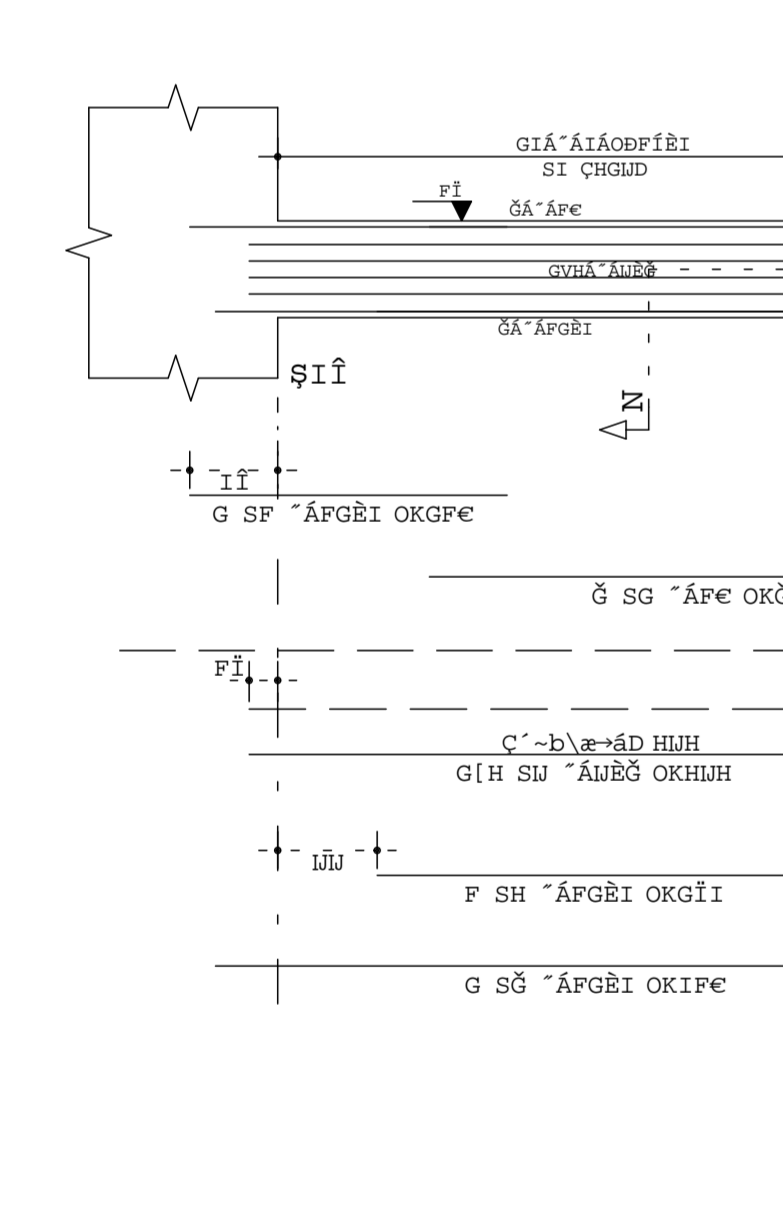
ÜGFÎ



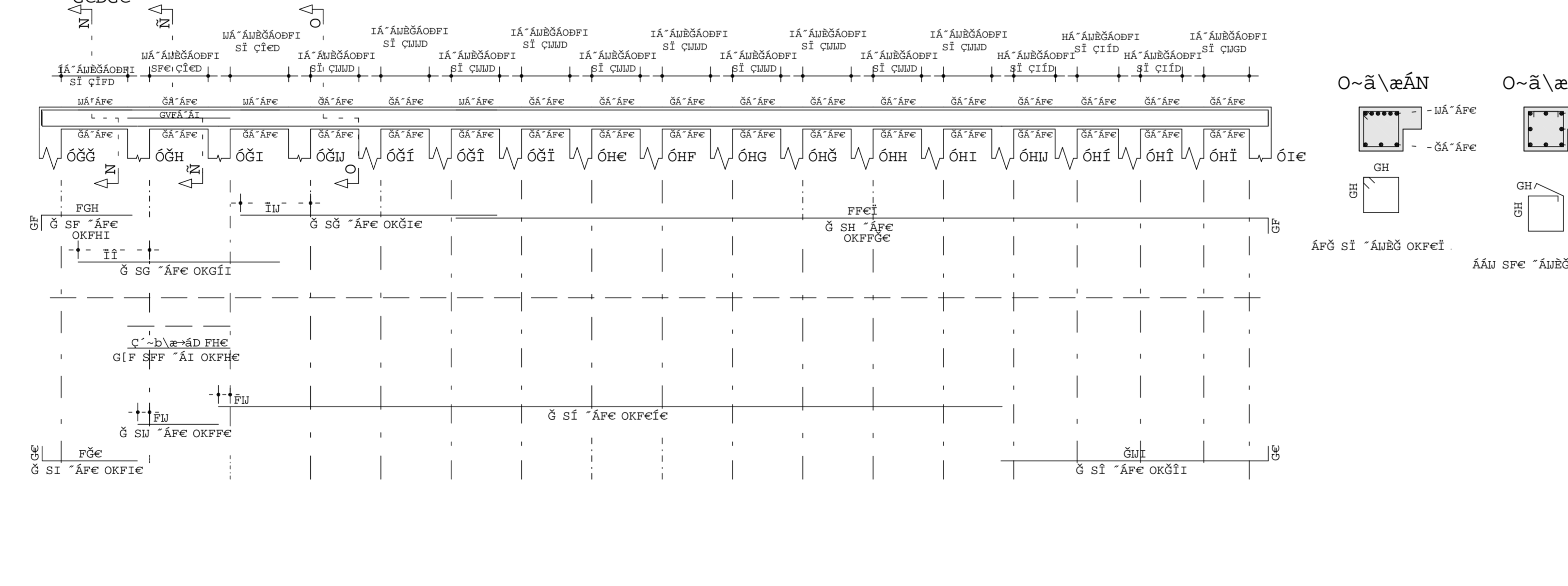
ÜGFG



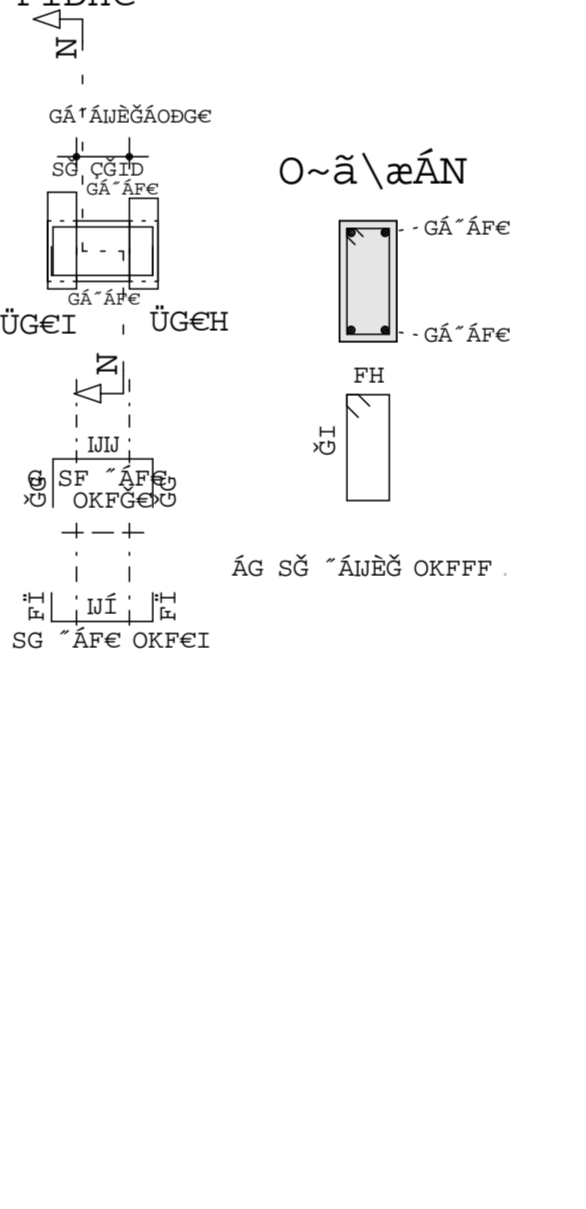
ÜGFĜ



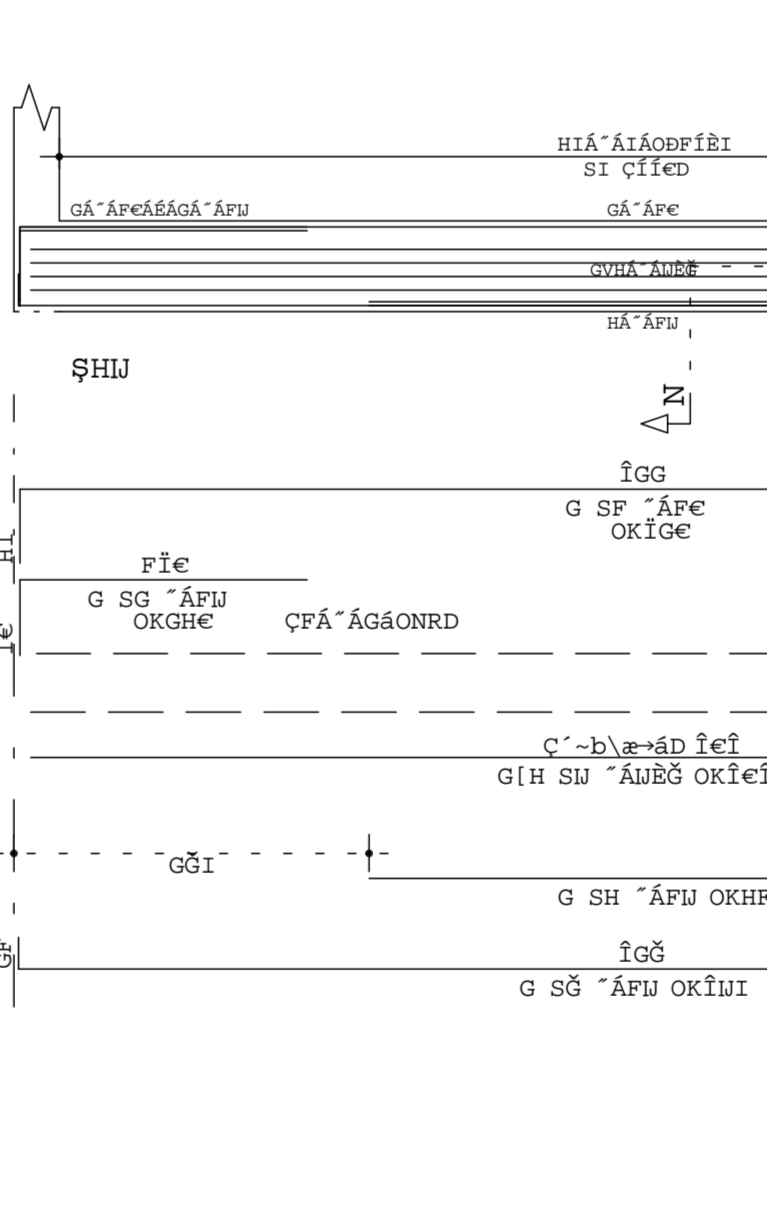
ÜGFH



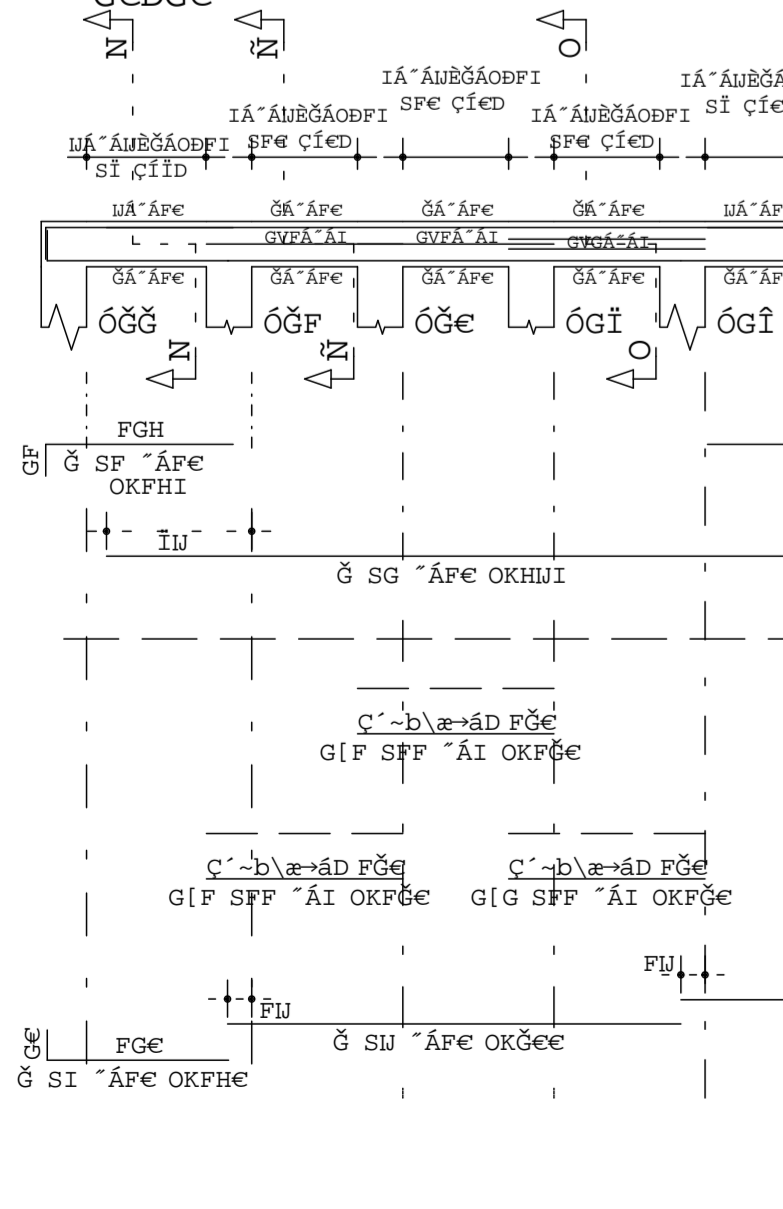
ÜGĜH



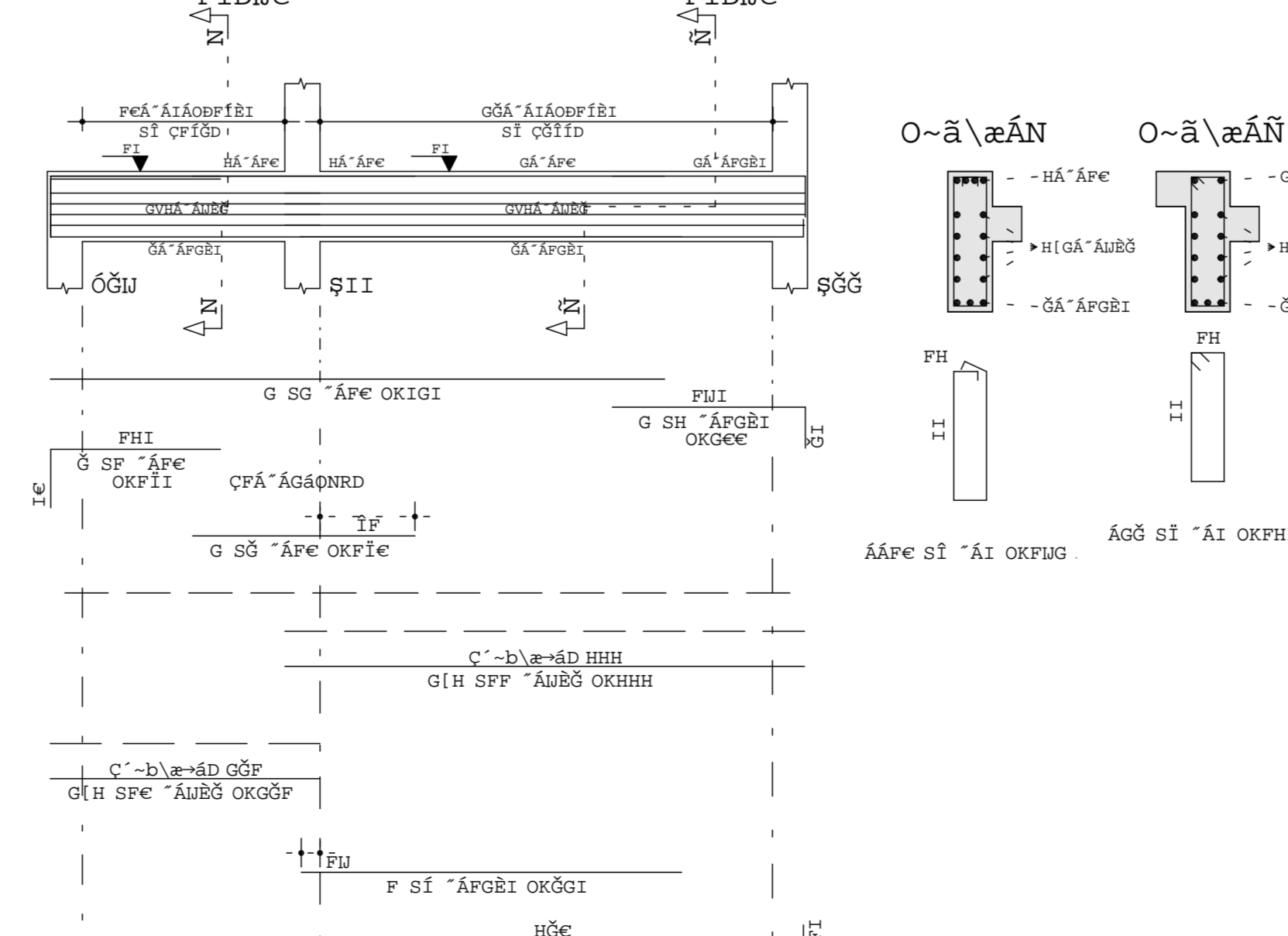
ÜGFI



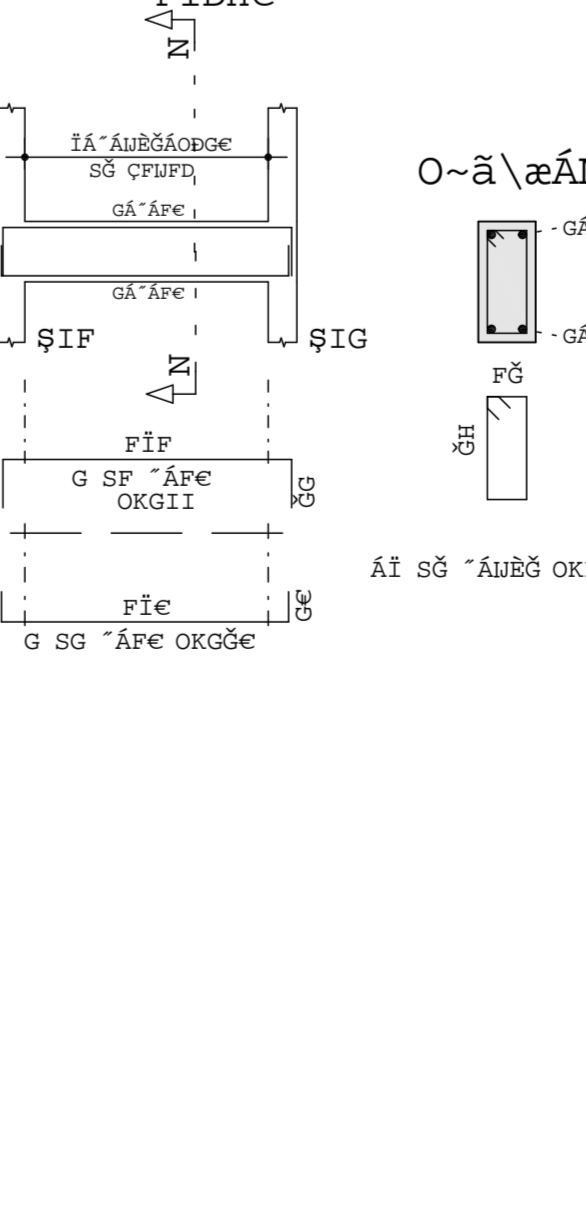
ÜGFJ



ÜGFÎ



ÜGFF



ÜGEI

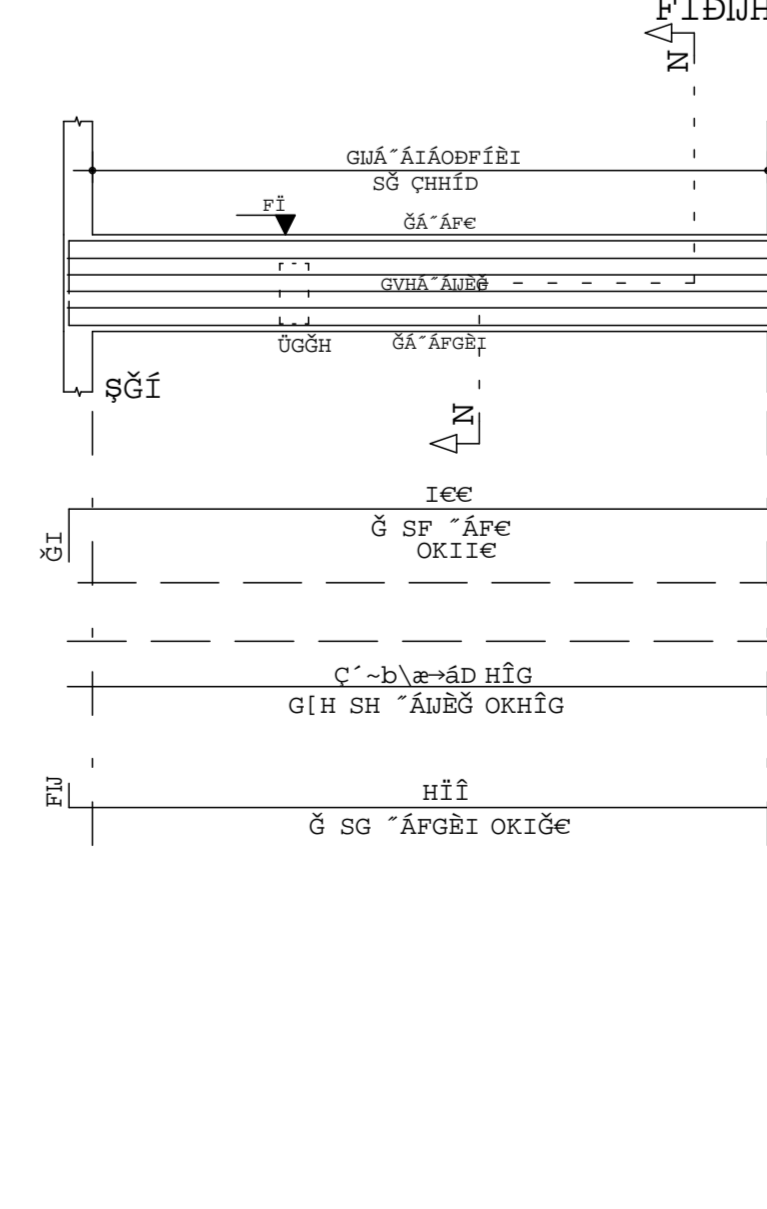


Table with columns: NoS, SŠU, NŠU, TŠUNS, QŠRŠP, ŠRŠQŠŠ, ŠŠUNS. It contains multiple rows of binary data.

Table with columns: NoS, NŠU, QŠRŠP, ŠŠUNS. It contains binary data for specific configurations.

Technical specifications and diagrams for a device, including a block diagram, a table of parameters, and a list of components.